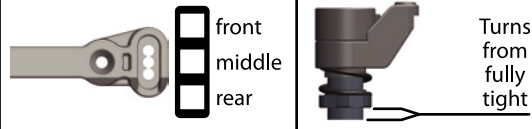


Name: \_\_\_\_\_ Date: \_\_\_\_\_ Event: \_\_\_\_\_

Track: Indoor  Outdoor  Size: Small  Medium  Large  Traction: Low  Med  High

Surface: Smooth  Bumpy  Rutted  Type: Loose/Loamy  Hard Pack  Blue Groove  Clay

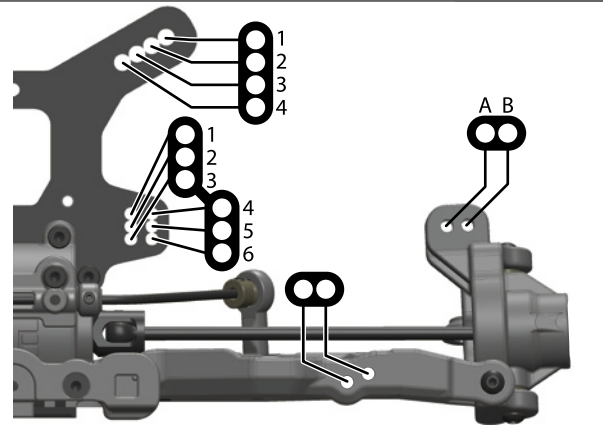
Bumpsteer/Ackerman/Servo Saver: \_\_\_\_\_ Condition: Dusty  Dry  Wet  Muddy



### Shocks:

	FRONT	REAR
OIL		
BRAND		
PISTON		
SPRING		
REBOUND	%	%
STD/EMUL/VENT		

### Front End:



### Suspension:

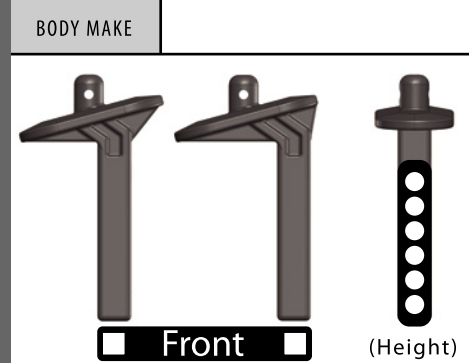
	FRONT	REAR
RIDE HEIGHT		
CAMBER		
SWEEP		
KICK UP		
ANTI-SQUAT		
TOE (in/out)		
SWAY BAR		
SHOCK LENGTH (DROOP)		

### Tires/Wheels:

	FRONT	REAR
BRAND/TREAD		
COMPOUND		
INSERT		
WHEEL		



### Body/Mounts:

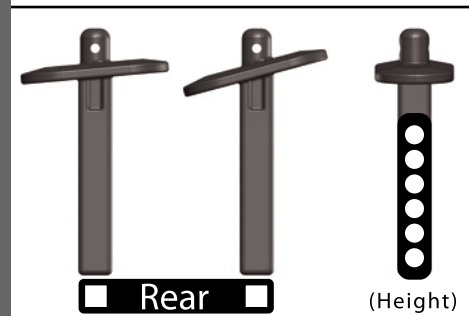
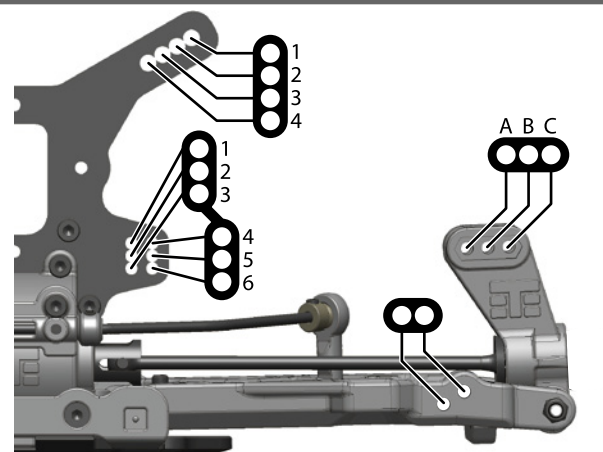


NOTES:

### Differential Oil:

FRONT	CENTER	REAR

### Rear End:

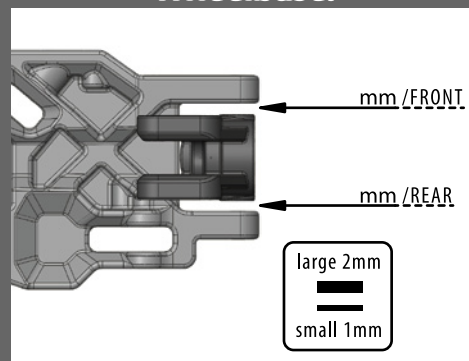


### Electronics:

ESC:	
Battery:	
Motor:	
Radio:	
Servo:	



### Wheelbase:



### Chassis Braces:

Front <input type="checkbox"/>	Middle <input type="checkbox"/>	Rear <input type="checkbox"/>
(front brace is always recommended)		

### Notes:

